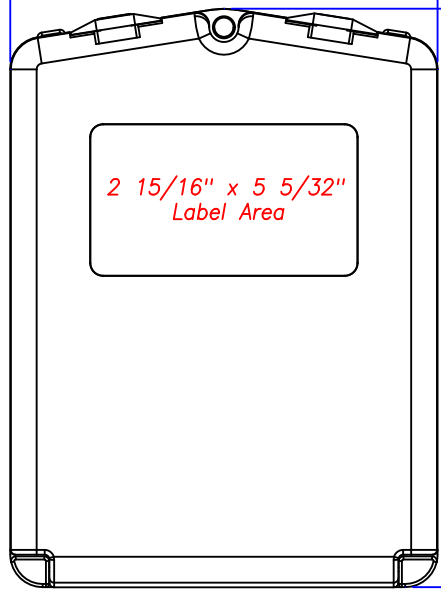
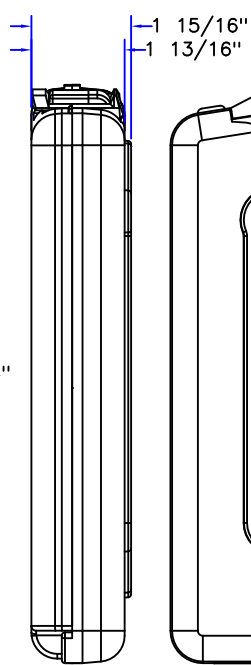


8 1/4"

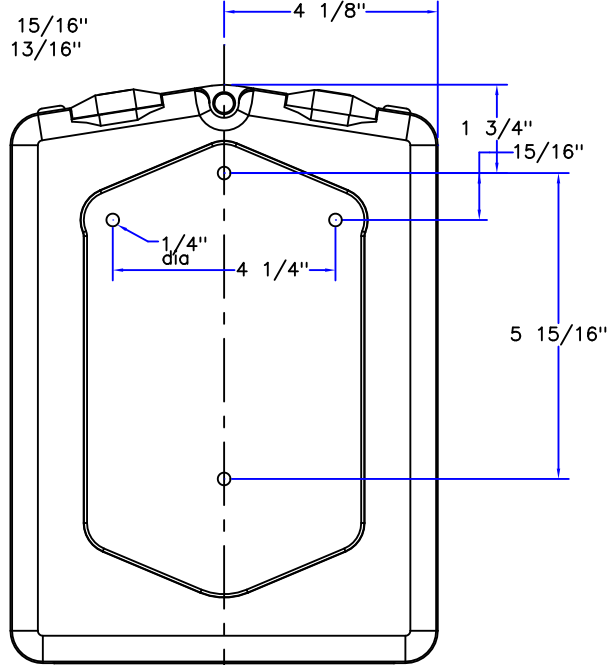


2 15/16" x 5 5/32"
Label Area

11 3/16"



1 15/16"
1 13/16"



4 1/8"

1 3/4"

15/16"

1/4" dia

4 1/4"

5 15/16"

TOLERANCES UNLESS OTHERWISE SPECIFIED ±0.5% <i>New</i>	Manual-Pak		
	SCALE	FULL	DRAWN BY
	DATE	5/15/05	AK
	Style 6 x 9 manual		
WELD NO.	9000-16	CUSTOMER NO.	SHEET 1